

**SYMBOL
KEY**

grainline arrow



match point/
placement mark



**PATTERN
SIZE KEY**

2	—————
4	- - - - -
6	· · · · ·
8	- · - · -
10	- · · - · -
12	- · · · - · -
14	- · · · · - · -
16	- · · · · · - · -
18	- · · · · · · - · -
20	- · · · · · · · - · -

CHARM PATTERNS



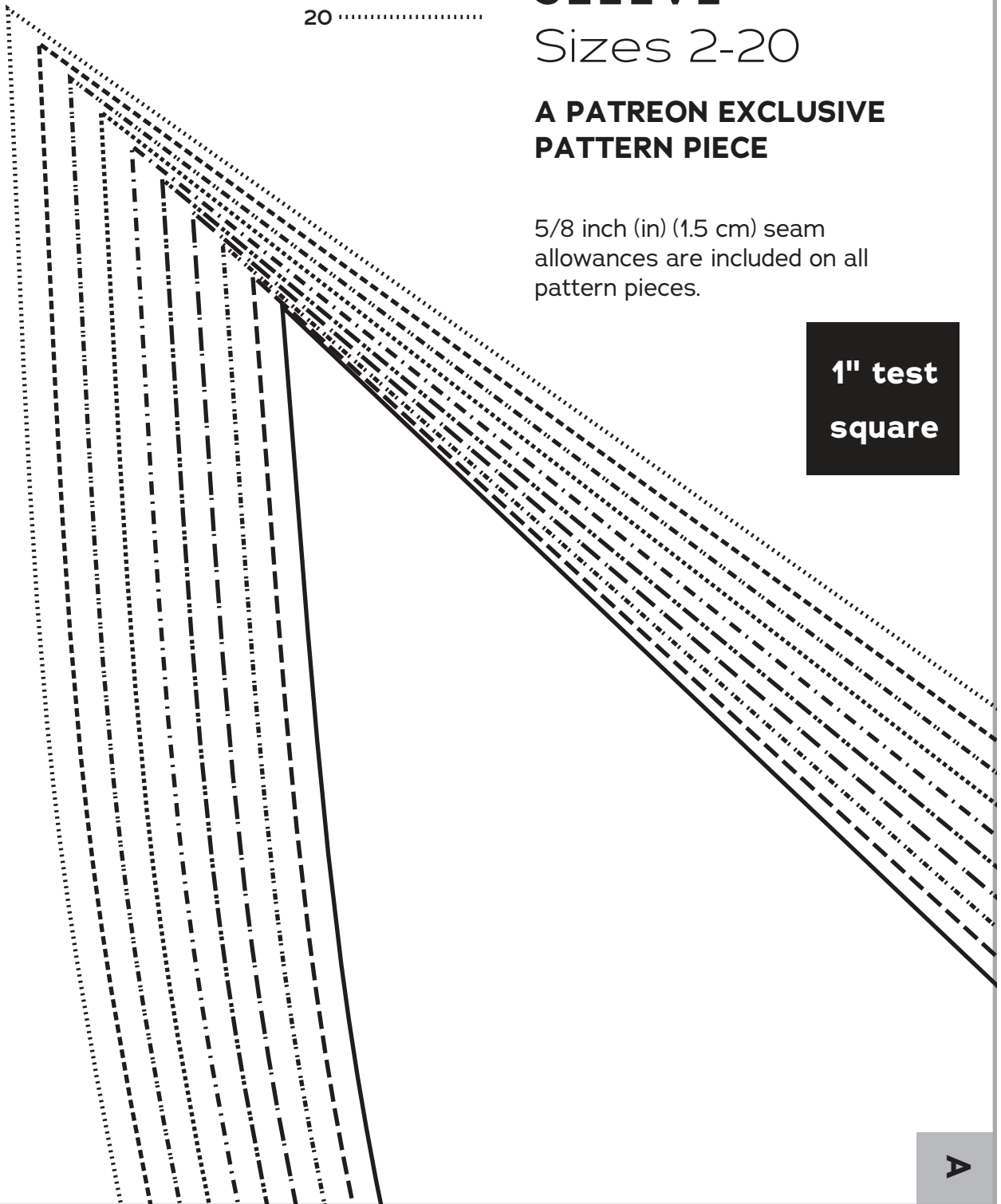
HARLOW PAJAMAS SLEEVE

Sizes 2-20

**A PATREON EXCLUSIVE
PATTERN PIECE**

5/8 inch (in) (1.5 cm) seam
allowances are included on all
pattern pieces.

**1" test
square**



A

FOLD BACK THIS MARGIN

A

FOLD BACK THIS MARGIN

A

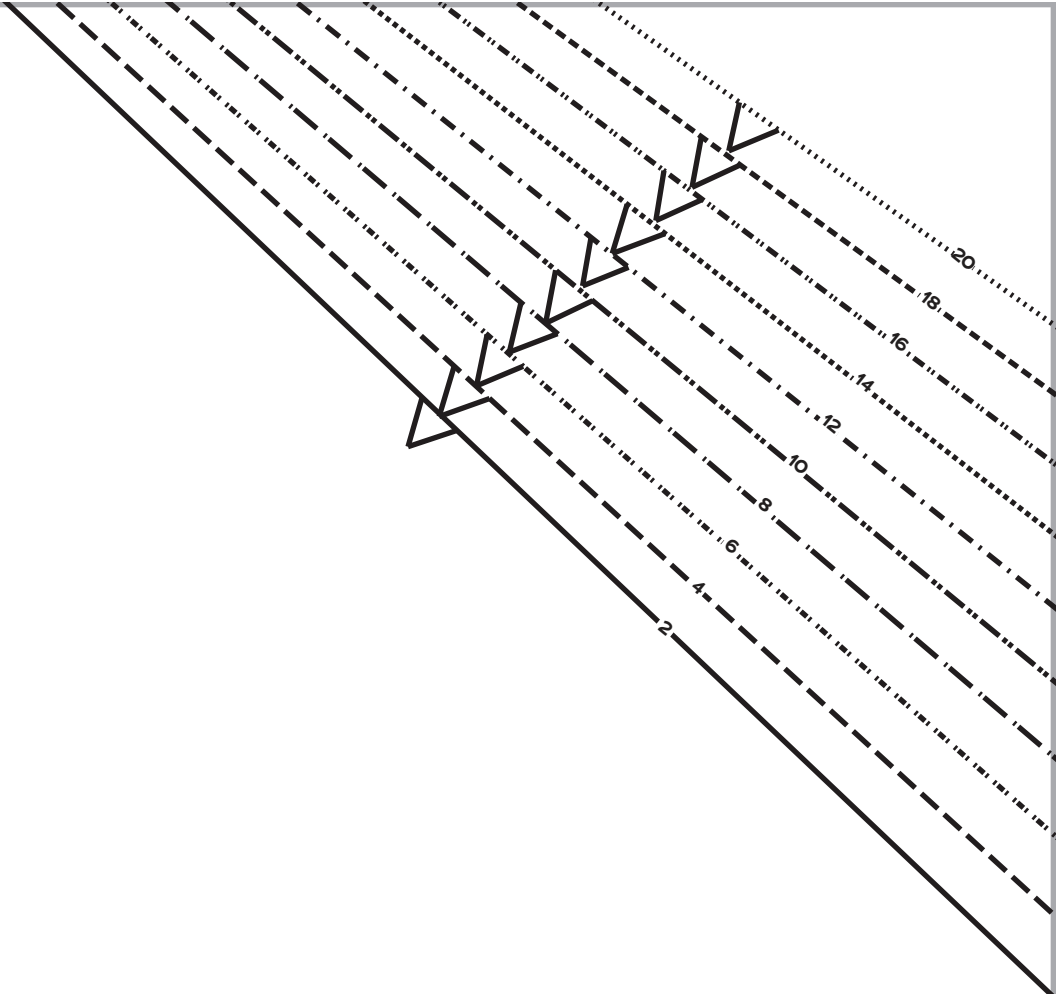
C

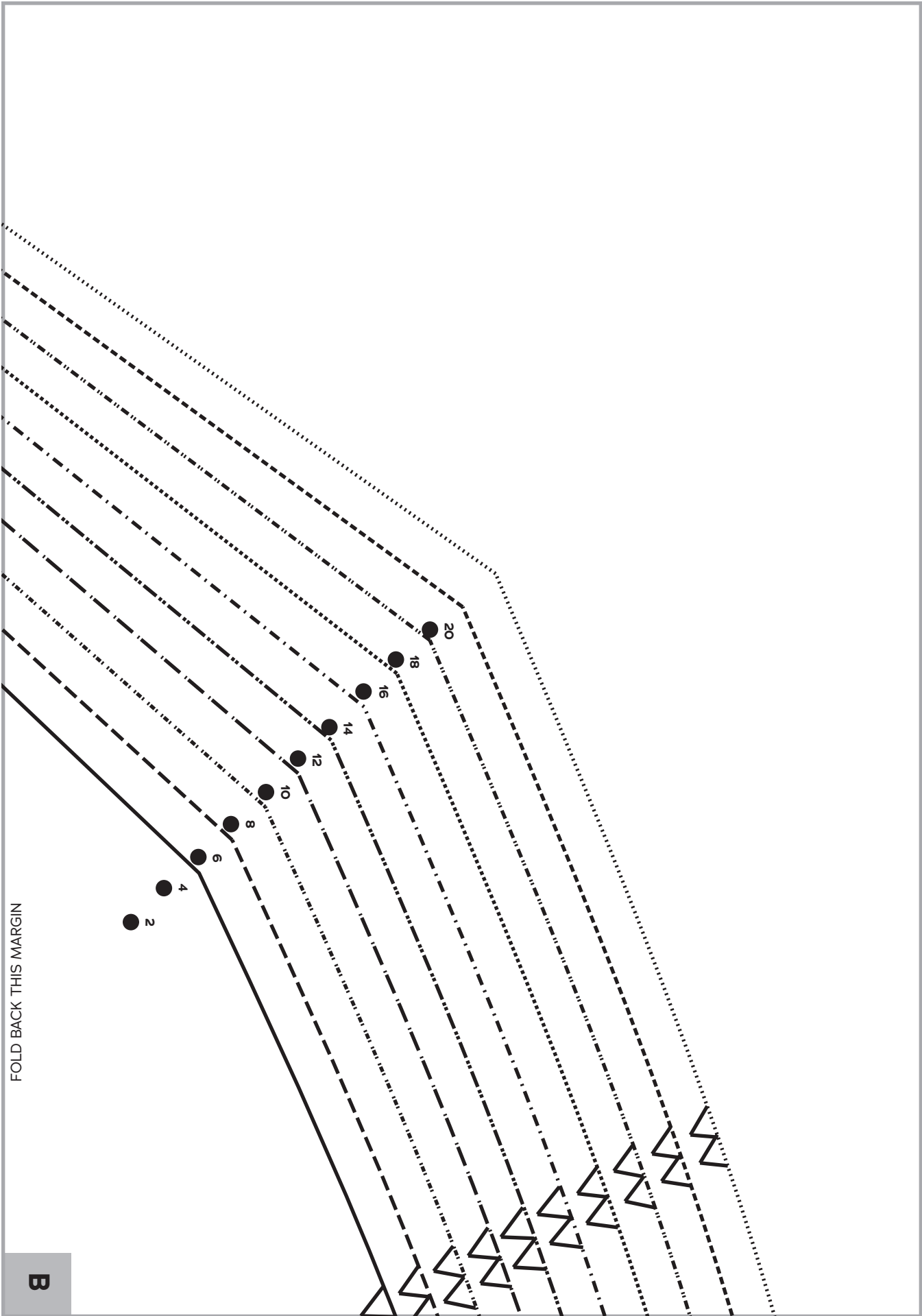
A

FOLD BACK THIS MARGIN

C

B



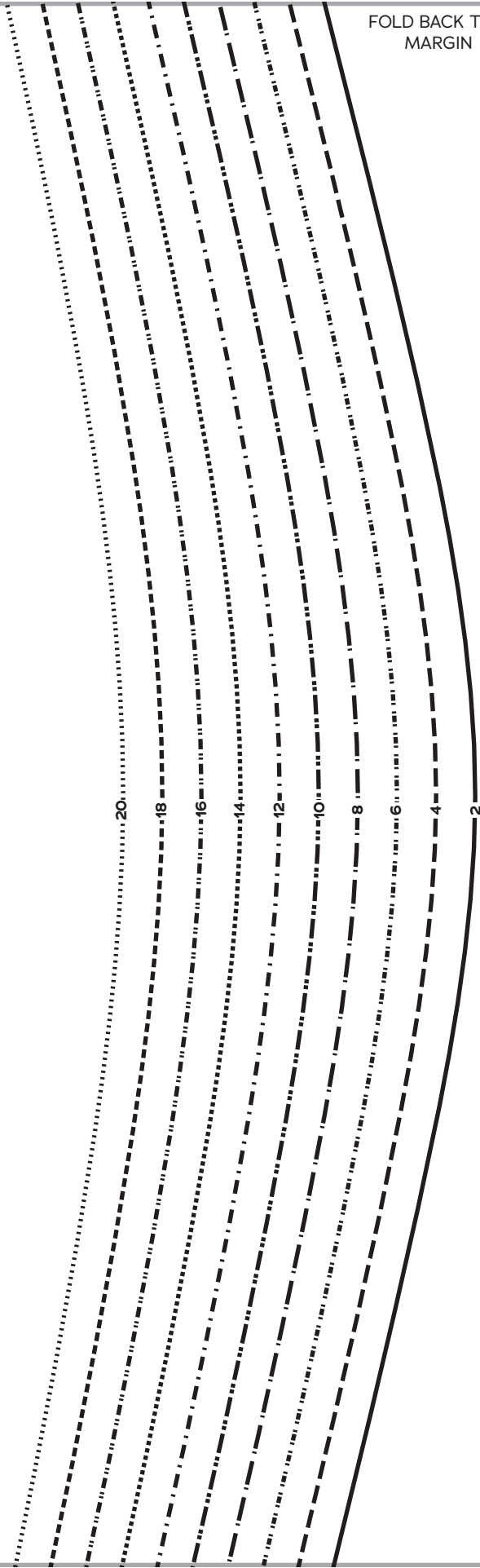


FOLD BACK THIS MARGIN

B

FOLD BACK THIS
MARGIN

C



E

FOLD BACK THIS MARGIN

B

C



GRAINLINE

CHARM
PATTERNS 
HARLOW PAJAMAS
Sleeve
Cut 2 fabric

FOLD BACK THIS MARGIN

D

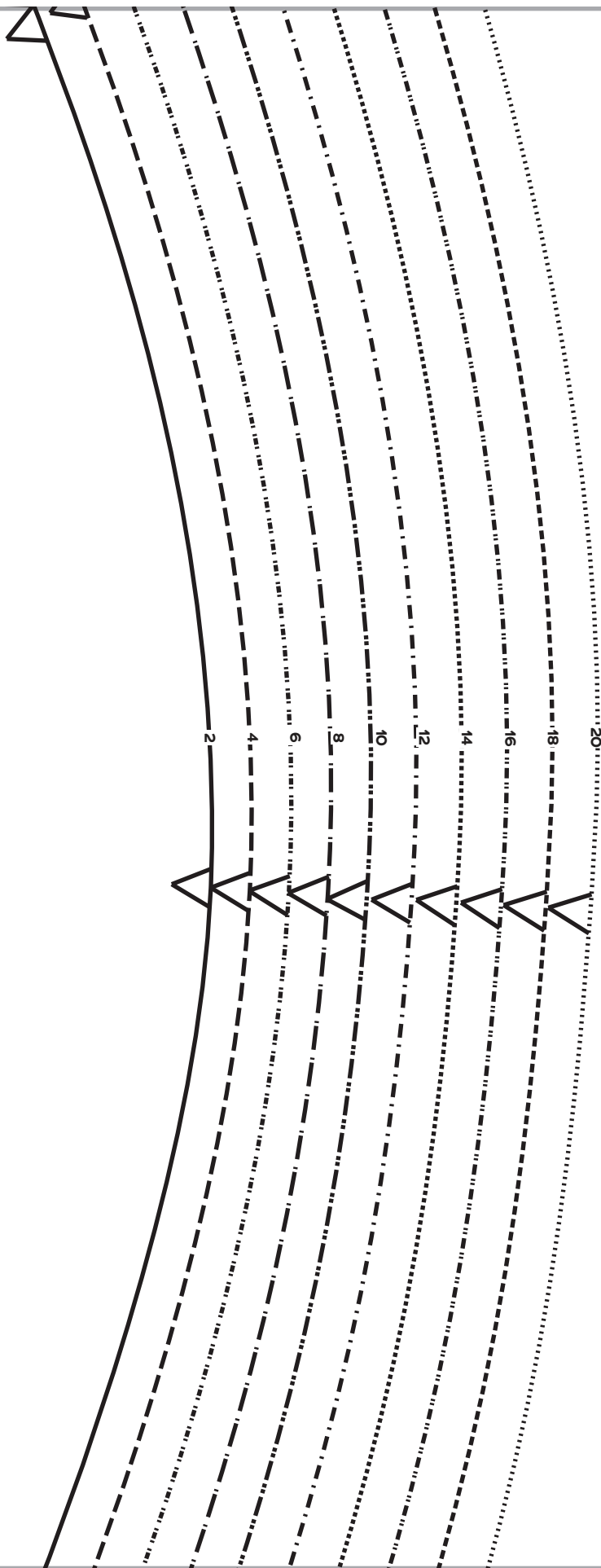
E

B

FOLD BACK THIS MARGIN

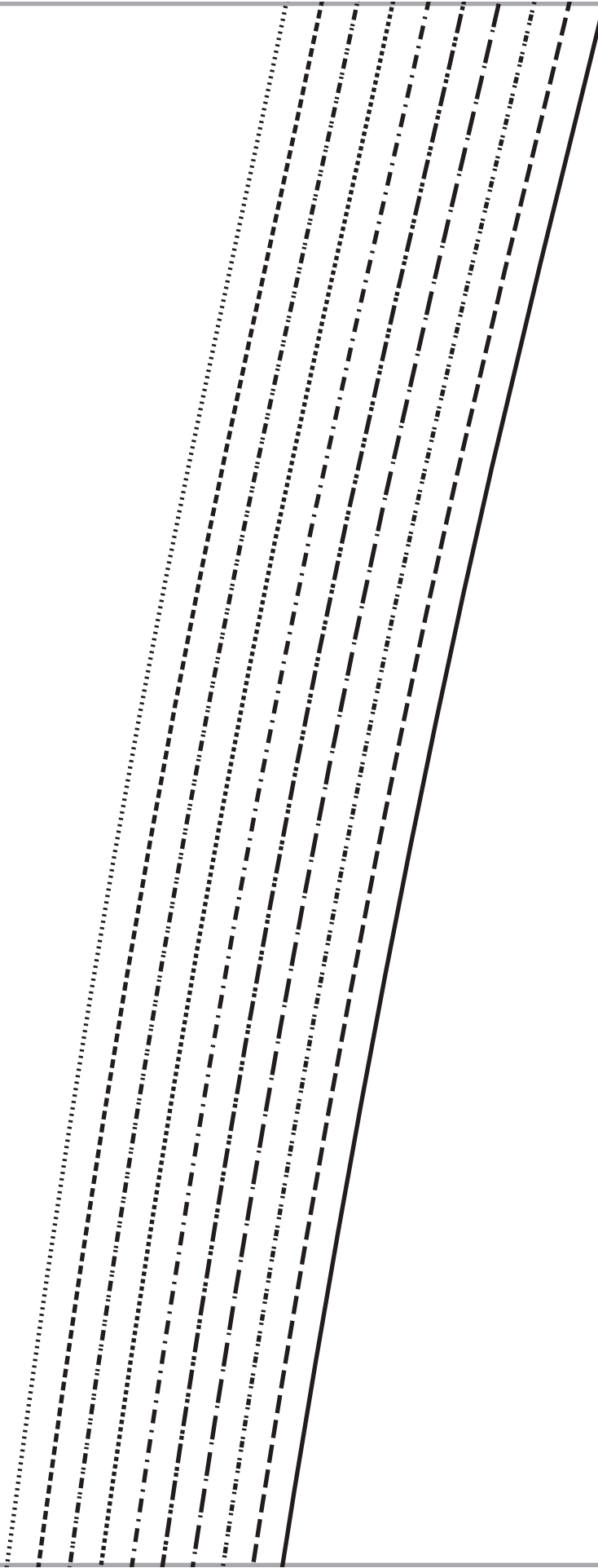
FOLD BACK THIS MARGIN

D



FOLD BACK
THIS MARGIN

F



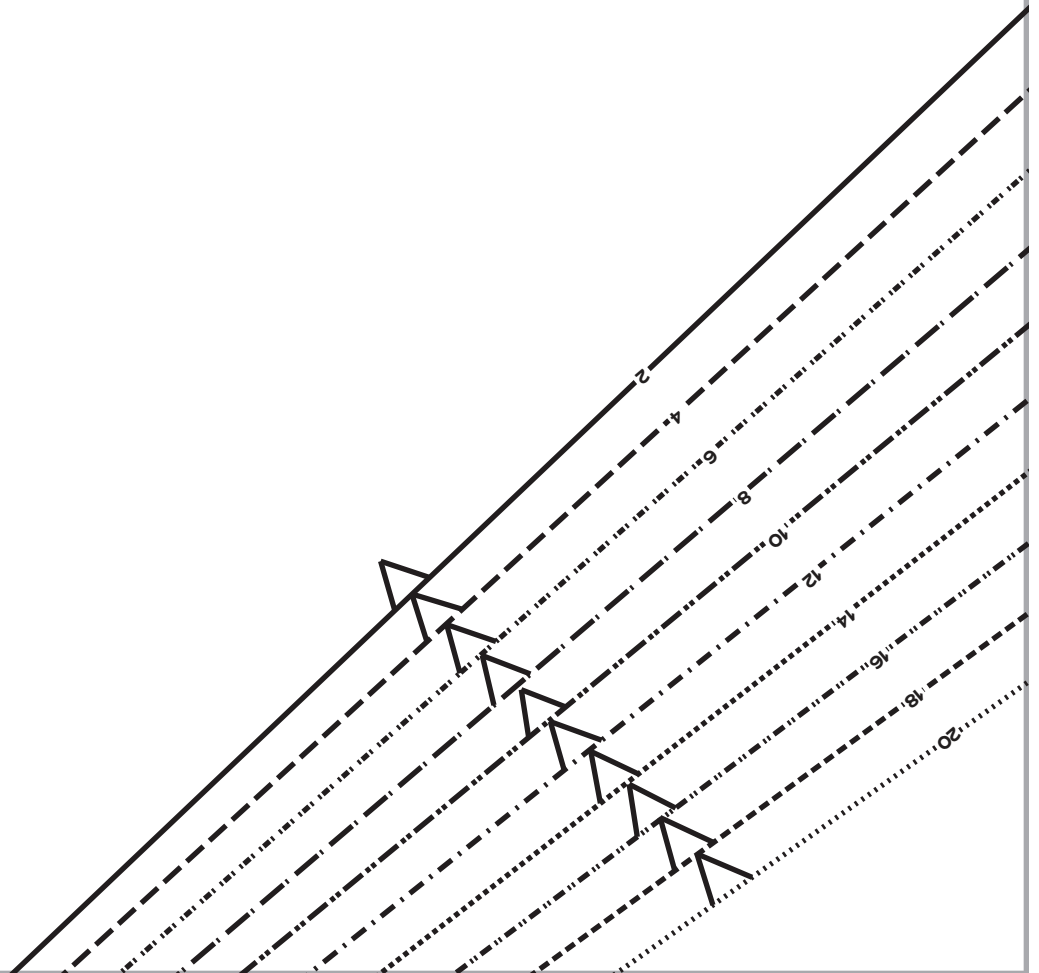
F

FOLD BACK THIS MARGIN

E

D

FOLD BACK THIS MARGIN



F

D

FOLD BACK THIS MARGIN

FOLD BACK THIS MARGIN

2

4

6

8

10

12

14

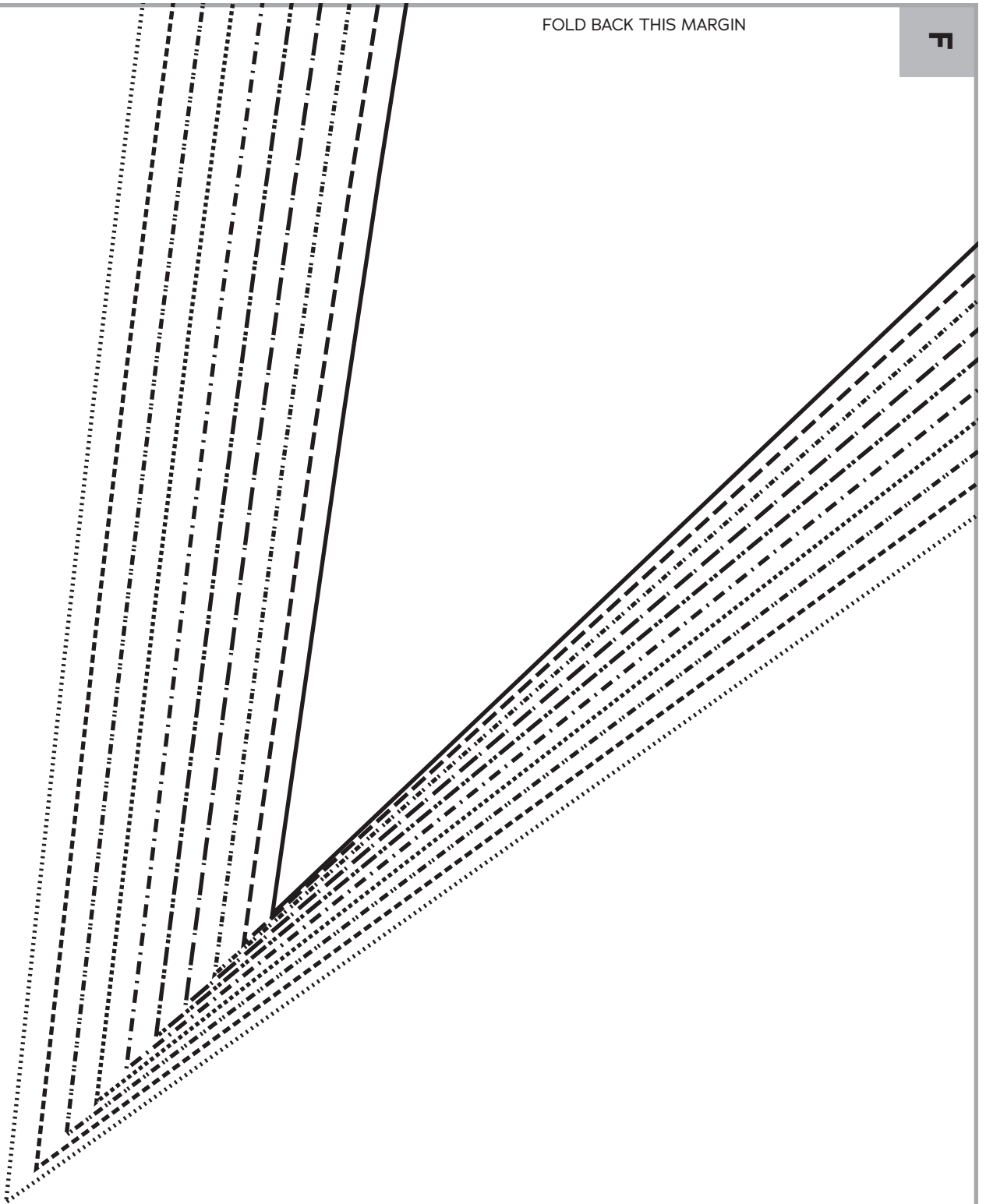
16

18

20

FOLD BACK THIS MARGIN

F



F

FOLD BACK
THIS MARGIN

FOLD BACK THIS MARGIN