

TABLE OF ORGANIZATION)
 AND EQUIPMENT)
 NR. 55-47D)

HEADQUARTERS
 DEPARTMENT OF THE ARMY
 Washington 25, D. C., 22 January 1959

TRANSPORTATION TACTICAL CARRIER COMPANY

Designation: _____ Transportation Company (Tactical Carrier)

	Page
Section I. General:	
Organization - - - - -	1
Equipment- - - - -	3
II. Organization (Personnel):	
Distribution - - - - -	6
Recapitulation - - - - -	6
Remarks- - - - -	8
III. Equipment:	
Distribution - - - - -	9
Recapitulation - - - - -	11
Remarks- - - - -	12

SECTION I

GENERAL

ORGANIZATION

1. MISSION. To provide protected tactical mobility, resupply or evacuation of casualties in direct support of combat elements of the infantry division or special task forces.

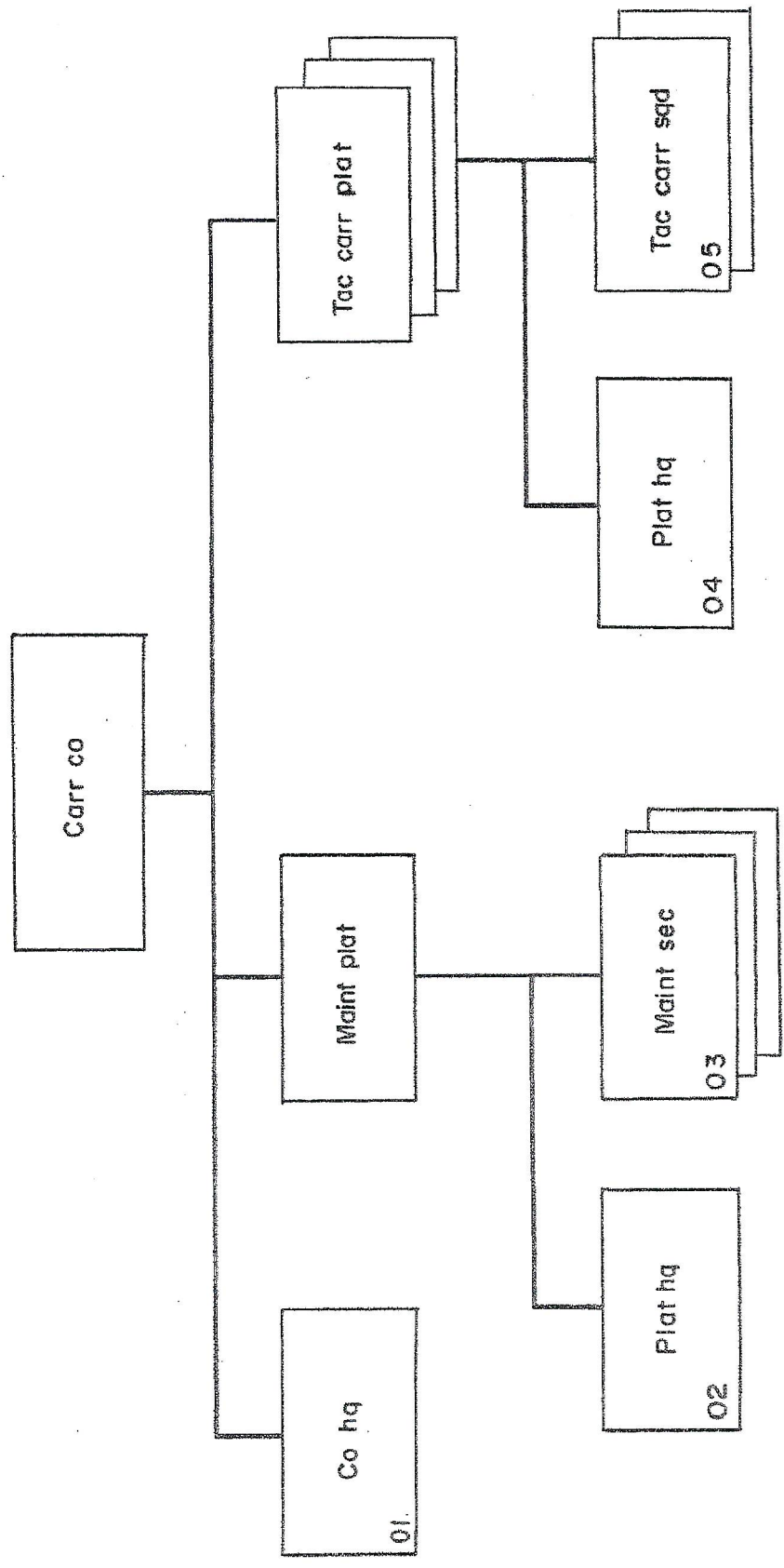
2. ASSIGNMENT. To a corps of field Army, normally attached to Headquarters and Headquarters Detachment, Transportation Tactical Carrier Battalion, TOE 55-46, or may operate separately under the supervision of the appropriate staff transportation officer.

3. CAPABILITIES. a. At full strength, with two drivers per carrier this unit is capable of the following:

(1) At 75 percent vehicle availability, transporting 440 personnel or 60 tons of cargo in one lift.

(2) At 90 to 100 percent availability, transporting the rifle elements of three rifle companies, infantry division battle group.

TRANSPORTATION TACTICAL CARRIER COMPANY



b. The reduced strength column adapts this Table of Organization and Equipment to the lesser requirements for personnel consistent with a one shift, 10-hour day during prolonged noncombat periods and for a limited period of combat.

c. This TOE is not adaptable to Type B organization.

d. Individuals of this unit can fight as infantrymen when required. This unit has the capability of defending itself and its installations against hostile ground attack.

4. BASIS OF ALLOCATION. a. One per 440 individuals or 60 tons of cargo to be moved in one lift.

b. One per three rifle companies, infantry division battle group.

5. CATEGORY. This unit is designated a Category II unit (Reference Unit Categories, SR 320-5-1).

6. MOBILITY. One hundred percent mobile.

EQUIPMENT

1. This table is in accordance with AR 310-2 and AR 310 series, and, together with documents listed in paragraph 3, is the authority to requisition and issue, in accordance with pertinent Department of the Army directives, all items listed herein unless otherwise indicated.

2. When there appears to be a discrepancy between the allowances shown in Section III, Equipment, strength column and the basis of distribution as indicated in the "Remarks" column, the amount shown in the strength column will govern.

3. Items of clothing, equipment, components of sets and kits, spare parts, accessories, special tools, and allowances of expendable items, as contained in the following publications, are authorized so far as they pertain to the allowances for the organization and/or individuals covered by this table.

a. Supply Manuals and expendable TA.

Chemical Corps.

Pam 310-23, Index of Supply Manuals--Chemical Corps.
TA 3-104, Allowances of Chemical Corps Expendable
Supplies.

Corps of Engineers.

Pam 310-25, Index of Supply Manuals--Corps of Engineers.

Army Medical Service.

Department of the Army Supply Manual 8-1 and 5 series.

Ordnance Corps.

Pam 310-29, Index of Supply Manuals--Ordnance Corps.

Quartermaster Corps.

Pam 310-30, Index of Supply Manuals--Quartermaster Corps.

TA 10-100, Allowances of Quartermaster Expendable Supplies.

TA 10-100-12, Allowances of Insect and Rodent Control Supplies.

Signal Corps.

Pam 310-21, Index of Supply Manuals--Signal Corps.

TA 11-101 (55-47), Allowances of Signal Corps Expendable Supplies for Transportation Tactical Carrier Company, when published.

b. Regulations.

AR 310-1, Military Publications--General Policies.

AR 370-5, Qualification in Arms--Qualification and Familiarization.

AR 700-8400-1, Issue and Sale of Personal Clothing

AR 711-16, Installation Stock Control and Supply Procedures.

AR 715-835, Local Procurement of Medical Supplies and Equipment.

AR 725-350, Local Purchase and Requisitioning of Chemical Expendable Items.

AR 725-550, Local Purchase and Requisitioning of General Engineer Expendable Items.

AR 725-850, Local Purchase and Requisitioning of Army Medical Service Expendable Items.

AR 725-950, Local Purchase and Requisitioning of Ordnance Expendable Items (Except for Ammunition and Guided Missiles).

AR 756-405, Sale of Quartermaster General Supplies Property.

c. Other applicable TA.

TA 20-2, Equipment for Training Purposes.

TA 20-4, Food Service Equipment for Field Installations, Troop and Hospital Trains and Army Vessels.

TA 20-8, Office Type Furniture and Equipment.

TA 20-11, Individual Safety and Protective Clothing and Equipment.
TA 20-12, Allowances for Flags, Tentage, Sewing Machines, and Equipment for Civilian Guards.
TA 20-90, Furniture and Furnishings for Government-Controlled Personnel Quarters.
TA 20-92, Troop Information Activities, Army Education Center Activities.
TA 21, Clothing and Equipment.
TA 23, Targets and Target Equipment.
TA 23-100, Ammunition for Training.
TA 23-103, Dummy, Drill, and Inert Ammunition.

4. The abbreviations used herein are in accordance with AR 320-50, AR 611-201 and SR 605-105-5.

5. Items of equipment authorized herein are the latest adopted type articles. Priorities of issue and/or issue of substitute items pending availability of later models or in lieu thereof until exhausted, are established and authorized by current supply directives.

6. This table contains the minimum essential quantities and types of equipment necessary to accomplish the mission of the unit. When additional equipment is required and is not covered by pertinent equipment authorization documents, approval must be obtained in accordance with procedures established by SR 725-10-2.

7. Allowances of equipment authorized herein may be decreased or omitted at the direction of the commanders of major commands. When deemed appropriate by these commanders only major components of items authorized will be requisitioned or retained.

8. When assigned military personnel exceeds that authorized in Section II, items of equipment authorized on an individual basis are increased accordingly.

SECTION II - ORGANIZATION

INDEX		DESIGNATION	IDENTITY	BRANCH	MOS.	STRENGTH				OFFICERS							ENLISTED							REMARKS
PAR	LINE					FULL (1)	REDUCED (2)	CADRE (4)	TYPE "B" (5)	GEN	COL	LT COL	MAJ	CAPT	LT	WO	E-7	E-6	E-5	E-4	E-3	E-2		
1	2	3	4	5	6	7	8	9	10	11	12	13	14	15	16	17	18	19	20	21	22	23	24	
		SRC 55 047D 8 00-				1	2	4	5															
01	01	COMPANY HEADQUARTERS	O	TC	0660	1	1	1															11	
	02	COMPANY COMMANDER	O	TC	0660	1	1	1																
	03	FIRST SERGEANT	E	INC	00180	1	1	1									1							
	04	DISPATCHER	E	INC	64370	1	1	1									1							
	05	ASST DISPATCHER	E	INC	64370	1	1	1										1						
	06	MESS STEWARD	E	INC	94160	1	1	1										1						
	07	SUPPLY SERGEANT	E	INC	76860	1	1	1										1						
	08	FIRST COOK	E	INC	94110	3	2	1										1						
	09	ARMORER	E	INC	76820	1	1	1											1				01	
	10	COMPANY CLERK	E	INC	71610	1	1	1											1				04	
	11	COOK	E	INC	94110	2	2	1											2					
	12	COOKS HELPER	E	INC	94000	1	1	1											1				01	
		LT TRUCK DRIVER	E	INC	64000	1	1	1											1				01	
						15	12	8							1		2	3	3	4	1	2	40	
02		MAINTENANCE PLATOON HEADQUARTERS																						
	01	MAINTENANCE OFF	W	INC	0606	1	1	1								1								
	02	MOTOR MNT SGT	E	INC	63260	1	1	1									1							
	03	SR RADIO MECHANIC	E	INC	31110	1	1	1										1						
	04	SR RCVY MECHANIC	E	INC	63220	1	1	1										1					41	
	05	ORDNANCE PARTS SP	E	INC	77310	1	1	1											1					
	06	RADIO MECHANIC	E	INC	31110	2	2	1											2					
	07	RECOVERY MECHANIC	E	INC	63220	1	1	1											1				41	
	08	LT TRUCK DRIVER	E	INC	63000	4	4	4											4				42	
						12	12	9								1	1		2	4	4			
03		3 MAINTENANCE SECTIONS																						
	01	SECTION LEADER	E	INC	63260	3	3	3										3						
	02	SR TRACK VEH MECH	E	INC	63220	6	6	3											6					
	03	TRACK VEH MECH	E	INC	63220	15	15	6												15				
	04	TRACK VEH MECH H	E	INC	63000	6	6	6												6	15	6	44	
						30	30	12										3	6	15	6			
04		3 TACTICAL CARRIER PLATOON HEADQUARTERS																						
	01	PLATOON LEADER	O	TC	0660	3	3	3							3								11	
	02	PLATOON SERGEANT	E	INC	64370	3	3	3																
	03	PER CARR DRIVER	E	INC	13000	6	6	3												6				
	04	LT TRUCK DRIVER	E	INC	64000	3	3	3														3		
						15	12	6							3		3			6	3			
05		6 TACTICAL CARRIER SQUADS																						
	01	SQUAD LEADER	E	INC	64360	6	6	6											6				43	
	02	ASST SQUAD LEADER	E	INC	64360	6	6	6											6				43	
	03	PER CARR DRIVER	E	INC	13000	96	48	24												96				
						108	54	30											6	6	96			
						180	120	59							1	3	1	6	12	17	125	15		
		RECAPITULATION																						
		FULL STRENGTH																						
		OFFICERS																						
			O	TC	0660	4									1	3								
						4									1	3								
		WARRANT OFFICERS																						
			W		0606	1																		
						1																		
		NON-COMMISSIONED OFFICERS																						
			E	INC	00180	1													1					
			E	INC	63260	4													1	3				
			E	INC	64360	12													6	6				

SECTION II - ORGANIZATION

FORM 55-47D

INDEX		DESIGNATION	IDENTITY	BRANCH	MOS.	STRENGTH				OFFICERS							ENLISTED						REMARKS
PAR	LINE					FULL (1)	REDUCED (2)	CADRE (4)	TYPE "B" (5)	GEN	COL	LT COL	MAJ	CAPT	LT	WO	E-7	E-6	E-5	E-4	E-3	E-2	
1	2	3	4	5	6	7	8	9	10	11	12	13	14	15	16	17	18	19	20	21	22	23	24
			E	NC	64370	5											4	1					
			E	NC	76860	1												1					
			E	NC	94160	1												1					
						24											6	12	6				
		OTHER ENLISTED																					
			E		13000	102														102			
			E		31110	3													1	2			
			E		63000	10																10	
			E		63220	23													7	16			
			E		64000	4																4	
			E		71610	1															1		
			E		76820	1															1		
			E		77310	1															1		
			E		94000	1																1	
			E		94110	5													3	2			
						151													11	25	15		
		REDUCED STRENGTH																					
		OFFICERS																					
			O	TC	0660		4																
							4																
		WARRANT OFFICERS																					
			W		0606	1																	
						1																	
		NON-COMMISSIONED OFFICERS																					
			E	NC	00180		1																
			E	NC	63260		4																
			E	NC	64360		6																
			E	NC	64370		4																
			E	NC	76860		1																
			E	NC	94160		1																
							17																
		OTHER ENLISTED																					
			E		13000		51														51		
			E		31110		3														1	2	
			E		63000		10																10
			E		63220		23														7	16	
			E		64000		4																4
			E		71610		1															1	
			E		77310		1															1	
			E		94000		1																1
			E		94110		4														2	2	
							98														10	22	15
		CADRE STRENGTH																					
		OFFICERS																					
			O	TC	0660		4																
							4																

SECTION II - ORGANIZATION

INDEX		DESIGNATION	IDENTITY	BRANCH	NOS.	STRENGTH				OFFICERS							ENLISTED						REMARKS		
PAR	LINE					FULL (11)	REDUCED (12)	CADRE (13)	TYPE "B" (14)	GEN	COL	LT COL	MAJ	CAPT	LT	WO	E-7	E-6	E-5	E-4	E-3	E-2			
1	2	3	4	5	6	7	8	9	10	11	12	13	14	15	16	17	18	19	20	21	22	23	24		
		WARRANT OFFICERS																							
			W		0606			1																	
								2																	
		NON-COMMISSIONED OFFICERS																							
			E	NC	00180			1																	
			E	NC	63260			4									1								
			E	NC	64350			6										3							
			E	NC	64370			4									4								
			E	NC	76860			1											1						
			E	NC	94160			1											1						
								17									6		11						
		OTHER ENLISTED																							
			E		13000				24																
			E		63220				10													24			
			E		71610				1									4				8			
			E		94110				2													1			
									37									5				32			
		REMARKS																							
		ALL PERSONNEL ARMED WITH RIFLE 7.62-MM LT BBL UNLESS OTHERWISE INDICATED.																							
		01 ALSO LIGHT TRUCK DRIVER.																							
		04 ALSO SWITCHBOARD OPERATOR.																							
		11 ARMED WITH PISTOL CAL 45 SEMIAUTOMATIC.																							
		40 ALSO RADIO TELEPHONE OPERATOR.																							
		41 ALSO RECOVERY VEHICLE DRIVER, REMARK 11 APPLIES.																							
		42 REMARK 40 APPLIES TO 1 EM.																							
		43 ALSO PERSONNEL CARRIER DRIVER.																							
		44 REMARK 01 APPLIES TO 3 EM.																							
		STANDARD REQUIREMENTS CODES -SRC- FOR SINGLE SQUADS - PLATOONS ETC APPLY TO PARAGRAPHS LISTED BELOW																							
		PAR 03 SRC 55-047D 8 01-03																							
		PAR 04 SRC 55-047D 8 01-04																							
		PAR 05 SRC 55-047D 8 01-05																							

SECTION III - EQUIPMENT

TOE 55-47D

PAR. NO.	LINE ITEM NUMBER	ITEM DESCRIPTION	QUANTITY			REMARKS	FOR LOCAL USE
			FULL STRENGTH	REDUCED STRENGTH	TYPE "B" STRENGTH		
1	2	3	4	5	6	7	8
		SRC 55 047D 8 00-	1	2	5		
01		COMPANY HEADQUARTERS					
	108170	DETECTOR KIT CHEMICAL AGENT	1	1		600	
	202375	AX SINGLE BIT 4 LB 36 IN LG	2	2		514	
	222752	COMPASS MAGNETIC LENSATIC 1.58 IN DIA CARD	2	2		800	
	235165	GENERATOR SET GAS ENG AC 120 V 1 AND 3 PH 120-240 V 1 PH 120-208 V 3 PH 60 CY SKID MTD 5 KW	1	1		600	
	249076	LIGHT SET GEN ILLUM COMD POST	3	3		600	
	251110	MATTOCK PICK W-HANDLE 5 LB	2	1		521	
	272400	SHOVEL HAND RD PT D-HDL	3	2		514	
	285050	TOOL KIT CARP ENGR SQD	1	1			
	401076	BAYONET-KNIFE W/SCABBARD CARBINE	15	12		600	
	405457	CHAIN ASSEMBLY 5GLE LEG 5/8 IN X 16 FT	1	1		704	
	405457		OR	2	1	795	
	427125	GUN MACH 7.62-MM LIGHTWEIGHT GENERAL PURPOSE	2	2			
	420800	LAUNCHER ROCKET 3.5-INCH	2	1			
	423565	MDUNT TRIPGD MACHINE GUN 7.62-MM	2	2			
	429280	PISTOL CAL .45 SEMIAUTOMATIC	1	1			
	435965	RIFLE 7.62-MM SEMIAUTOMATIC LT BARREL	14	11			
	453650	TOOL KIT ARMORERS	1				
	457110	TRAILER AMPHIBIOUS CARGO 1/4 TON 2-WHEEL	1	1			
	457229	TRAILER CARGO 1 1/2-TON 2-WHEEL	1	1			
	457495	TRAILER TANK WATER 1 1/2-TON 2-WHEEL	1	1			
	460110	TRUCK CARGO 2 1/2-TON 6X6 LWB	2	1			
	461790	TRUCK UTILITY 1/4-TON 4X4	1	1			
	465380	WATCH WRIST GRADE II	11	3		609	
	500149	ACCESSORY OUTFIT GASOLINE FIELD RANGE	1	1			
	502437	SAG WATER STERILIZING POROUS W/SUSPENSION ROPES AND COVER	2	1			
	510997	CAN ASH AND GARBAGE GALVANIZED NESTING W/COVER 10 GAL CAPACITY	2	2			
	511021	CAN ASH AND GARBAGE GALVANIZED NESTING W/COVER 32 GAL CAPACITY	11	6			
	511093	CAN GASOLINE MILITARY STEEL 5 GAL	10	8		514	
	511245	CAN WATER MILITARY STEEL 5 GAL	12	8			
	512676	BURNER OIL STOVE TENT	1	1		600	
	513149	CARRIER WIRE CUTTER	1	1			
	513493	CASE FLD OFF MACH 18 1/2 X 13 1/4 X 17 IN	1	1			
	516757	CHAIR FOLDING	4	4			
	517109	CLOCK ALARM MECHANICAL 4 IN DIAL	1	1			
	520653	COOK SET FIELD	10	10		600	
	523301	CUTTER WIRE M-1938	1	1			
	523789	DESK FIELD PLYWOOD 19 3/8 IN W 11 1/4 IN H 14 5/8 IN DP	1	1			
	523797	DESK FIELD PLYWOOD 22 5/8 IN W 25 7/8 IN H 14 1/2 IN DP	1	1			
	530623	FOOD CONTAINER INSULATED RECTANGULAR ALUMINUM 5 GAL	7	5			
	534489	FLAG GUIDON BUNTING	1	1			
	534493	HEATER SPACE COAL OR OIL 45000 BTU 18 5/8 IN H	1	1		600	
	538886	GOGGLES M-1944	3	2		909	
	540029	LANTERN GASOLINE 1 1/2 PT CAPACITY	3	3			
	541645	HEATER IMMERSION FOR CAN CORRUGATED	9	6			
	541806	HEATER WATER IMMERSION GAS OPERATED	1	1		620	
	547055	KIT BARBER W/CASE	1	1			
	548189	PAIL METAL STEEL GALVANIZED 3 1/2 GAL CAPACITY LIGHTWEIGHT TYPE	5	5		621	
	548493	PANEL MARKER GROUND SIGNAL TO AIRCRAFT	2	2			
	553823	PERFORATOR PAPER DESK NONADJUSTABLE 2 PUNCHES 2 3/4 IN CTC	1	1			
	590717	RANGE OUTFIT FIELD GASOLINE M-1937	3	3			
	599637	OUTFIT OFFICERS MESS	1	1			
	562101	SAFE 26 IN H 17 IN W 17 1/2 IN DP	1	1			
	563405	SCREEN LATRINE DUCK FWWNR OLIVE DRAB W/COVER	1	1		600	
	567957	SPOUT CAN FLEXIBLE W/FILTER SCREEN 16 IN L 1.238 IN FLEX TUBE	7	6		526	
	570109	STOVE GASOLINE BURNER 1 BURNER 5500 BTU	10	10		600	
	572046	TABLE FOLDING LEGS WOOD SOLID TOP WOOD LEGS 36 L 24 W 27 25-32 H	4	4			
	574397	TENT COMMAND POST COMP W/PINS AND POLES	1	1		600	
	574461	TENT KITCHEN FLYPROOF COMP W/PINS AND POLES	1	1		618	
	574541	TENT WALL LARGE FWWNR OLIVE DRAB COMPLETE W/PINS AND POLES	1	1		600	
	585966	STAPLER PAPER FASTEN OFF TYPE LT DUTY	1	1			
	586325	STENCIL OUTFIT COMP W/FIGURES AND LETTERS 1/2 IN AND 1 IN	1	1			
	596643	TYPEWRITER NON PTBL II IN CARRIAGE	1	1			
	609625	CHARGER RADIAC DETECTOR PP-1576/PD	2	2			
	616620	FLASHLIGHT MX-991/U	56	28		800	
	634670	RADIACMETER IM-93/UD	6	6			
	634675	RADIACMETER IM-108/PD	6	6			
	639601	RADIO SET AN/GRC-7 MTD IN TRK 1/4 TON	1	1			

SECTION III - EQUIPMENT

PAR. NO.	LINE ITEM NUMBER	ITEM DESCRIPTION	QUANTITY			REMARKS	FOR LOCAL USE
			FULL STRENGTH	REDUCED STRENGTH	TYPE #1 STRENGTH		
1	2	3	4	5	6	7	8
01	660060	REEL EQUIPMENT CE-11	1	1			
	672380	SWITCHBOARD TELEPHONE MANUAL SB-22/PT	1	1			
	678260	TELEPHONE SET TA-312/PT	2	2			
	688520	TOOL EQUIPMENT TE-33	1	1		530	
	698350	WIRE WD-1/TT ON SPOOL DR-B 1/4 MI	8	8			
02		MAINTENANCE PLATOON HEADQUARTERS					
	202375	AX SINGLE BIT 4 LB 36 IN LG	4	4		514	
	251110	MATTOCK PICK W-HANDLE 5 LB	3	3		521	
	272400	SHOVEL HAND RD PT D-HDL	4	4		514	
	401076	BAYONET-KNIFE W/SCABBARD CARBINE	12	12		600	
	429280	PISTOL CAL .45 SEMIAUTOMATIC	2	2			
	439965	RIFLE 7.62-MM SEMIAUTOMATIC LT BARREL	10	10			
	444250	TANK RECOVERY VEHICLE MEDIUM	1	1			
	453800	TOOL KIT GEN MECH	2	2		219	
	457110	TRAILER AMPHIBIOUS CARGO 1/4 TON 2-WHEEL	1	1			
	461327	TRUCK TANK GASOLINE 2 1/2-TON 6X6 W/WN	3	3			
	461790	TRUCK UTILITY 1/4-TON 4X4	1	1			
	511093	CAN GASOLINE MILITARY STEEL 5 GAL	29	29		516	
	512676	BURNER OIL STOVE TENT	2	2		600	
	514757	CHAIR FOLDING	4	4			
	523789	DESK FIELD PLYWOOD 19 3/8 IN W 11 1/4 IN H 1 1/2 IN DP	1	1			
	534493	HEATER SPACE COAL OR OIL 45000 BTU 18 5/8 IN H	2	2		600	
	538886	GOGGLES M-1944	6	6		909	
	540029	LANTERN GASOLINE 1 1/2 PT CAPACITY	2	2			
	567957	SPOUT CAN FLEXIBLE W/FILTER SCREEN 16 IN L 1.238 IN FLEX TUBE	5	5		526	
	574429	TENT GENERAL PURPOSE MEDIUM COMP W/PINS AND POLES	1	1		600	
	628193	MULTIMETER ME-77/U	3	3		236	
	639701	RADIO SET AN/GRC-8 MTD IN TRK 1/4 TON	1	1			
	663895	SHUNT INSTRUMENT MULTIRANGE MX-1471/U	3	3			
	678260	TELEPHONE SET TA-312/PT	1	1			
	685865	TEST SET ELECTRON TUBE TV-7/U	1	1			
	688600	TOOL EQUIPMENT TE-41	3	3		238	
03		3 MAINTENANCE SECTIONS					
	202375	AX SINGLE BIT 4 LB 36 IN LG	3	3		514	
	251110	MATTOCK PICK W-HANDLE 5 LB	3	3		521	
	272400	SHOVEL HAND RD PT D-HDL	3	3		526	
	401076	BAYONET-KNIFE W/SCABBARD CARBINE	30	30		600	
	405457	CHAIN ASSEMBLY SGL LEG 5/8 IN X 16 FT					
	405457		OR	3	3	705	
	439965	RIFLE 7.62-MM SEMIAUTOMATIC LT BARREL	30	30			
	453800	TOOL KIT GEN MECH	21	21		219	
	453890	TOOL KIT ORG MAINT NR 1 COMMON	3	3			
	453910	TOOL KIT ORG MAINT NR 2 SUPPLEMENTAL	3	3			
	457220	TRAILER CARGO 1 1/2-TON 2-WHEEL	3	3			
	460110	TRUCK CARGO 2 1/2-TON 6X6 LWB	3	3			
	511093	CAN GASOLINE MILITARY STEEL 5 GAL	9	9		516	
	534413	HEATER DUCT TYPE PORTABLE GASOLINE 250000 BTU	3	3		619	
	538886	GOGGLES M-1944	3	3		909	
	540029	LANTERN GASOLINE 1 1/2 PT CAPACITY	6	6			
	567957	SPOUT CAN FLEXIBLE W/FILTER SCREEN 16 IN L 1.238 IN FLEX TUBE	6	6		526	
	574477	TENT MAINTENANCE SHELTER COMP W/FRAME AND PINS	3	3		600	
04		3 TACTICAL CARRIER PLATOON HEADQUARTERS					
	202375	AX SINGLE BIT 4 LB 36 IN LG	3	3		514	
	222752	COMPASS MAGNETIC LENSATIC 1.58 IN DIA CARD	6	6		600	
	272400	SHOVEL HAND RD PT D-HDL	3	3		514	
	401076	BAYONET-KNIFE W/SCABBARD CARBINE	15	12		600	
	405225	CARRIER PERSONNEL FULL TRACKED	3	3			
	429280	PISTOL CAL .45 SEMIAUTOMATIC	3	3			
	439965	RIFLE 7.62-MM SEMIAUTOMATIC LT BARREL	12	9			
1	2	3	4	5	6	7	8

SECTION III - EQUIPMENT

TOE 55-47D

PAR. NO.	LINE ITEM NUMBER	ITEM DESCRIPTION	QUANTITY			REMARKS	FOR LOCAL USE
			FULL STRENGTH	REDUCED STRENGTH	TYPE "B" STRENGTH		
1	2	3	4	5	6	7	8
04	457110	TRAILER AMPHIBIOUS CARGO 1/4 TON 2-WHEEL	2	2			
	461790	TRUCK UTILITY 1/4-TON 4X4	2	2			
	511093	CAN GASOLINE MILITARY STEEL 5 GAL	62	62			
	538886	GOGGLES M-1944	9	6		909	
	567957	SPOUT CAN FLEXIBLE W/FILTER SCREEN 16 IN L 1.236 IN FLEX TUBE	2	2		526	
	639701	RADIO SET AN/GRC-8 MTD IN TRK 1/4 TON	2	2			
	639766	RADIO SET AN/GRC-8 MTD IN CARRIER PERSONNEL FULL TRACKED	2	2		523	
	650166	RADIO SET AN/VRC-3 MTD IN CARRIER PERSONNEL FULL TRACKED	1	1		593	
	678260	TELEPHONE SET TA-312/PT	2	2			
05		6 TACTICAL CARRIER SQUADS					
	222752	COMPASS MAGNETIC LENSATIC 1.58 IN DIA CARD	6	6		800	
	401076	BAYONET-KNIFE W/SCABBARD CARBINE	108	54		600	
	405225	CARRIER PERSONNEL FULL TRACKED	54	54			
	435965	RIFLE 7.62-MM SEMIAUTOMATIC LT BARREL	108	54			
	511093	CAN GASOLINE MILITARY STEEL 5 GAL	1080	1080		516	
	538886	GOGGLES M-1944	108	60		909	
	639766	RADIO SET AN/GRC-8 MTD IN CARRIER PERSONNEL FULL TRACKED	12	12			
	648866	RADIO SET AN/VRC-7 MTD IN CARRIER PERSONNEL FULL TRACKED	42	42			
		RECAPITULATION					
		CHEMICAL ITEMS					
	108170	DETECTOR KIT CHEMICAL AGENT	1	1			
		ENGINEER ITEMS					
	202375	AX SINGLE BIT 4 LB 36 IN LG	12	12			
	222752	COMPASS MAGNETIC LENSATIC 1.58 IN DIA CARD	14	14			
	235165	GENERATOR SET GAS ENG AC 120 V 1 AND 3 PH 120-240 V 1 PH 120-208					
		V 3 PH 60 CY SKID MTD 5 KW	1	1			
	249076	LIGHT SET GEN ILLUM COMD POST	2	2			
	251110	MATTOCK PICK W-HANDLE 5 LB	8	7			
	272400	SHOVEL HAND RD PT D-HDL	13	12			
	285850	TOOL KIT CARP ENGR SQD	1	1			
		ORDNANCE ITEMS					
	401076	BAYONET-KNIFE W/SCABBARD CARBINE	180	120			
	405225	CARRIER PERSONNEL FULL TRACKED	37	37			
	405457	CHAIN ASSEMBLY SGL LEG 5/8 IN X 16 FT	1	1			
	405457		OR	6			
	417125	GUN MACH 7.62-MM LIGHTWEIGHT GENERAL PURPOSE	2	2			
	420800	LAUNCHER ROCKET 3.5-INCH	2	1			
	425565	MOUNT TRIPOD MACHINE GUN 7.62-MM	2	2			
	429280	PISTOL CAL .45 SEMIAUTOMATIC	6	6			
	435965	RIFLE 7.62-MM SEMIAUTOMATIC LT BARREL	174	114			
	444250	TANK RECOVERY VEHICLE MEDIUM	1	1			
	453650	TOOL KIT ARMORERS	1				
	453800	TOOL KIT GEN MECH	23	23			
	453890	TOOL KIT ORG MAINT NR 1 COMMON	3	3			
	453910	TOOL KIT ORG MAINT NR 2 SUPPLEMENTAL	2	2			
	457110	TRAILER AMPHIBIOUS CARGO 1/4 TON 2-WHEEL	5	5			
	457220	TRAILER CARGO 1 1/2-TON 2-WHEEL	4	4			
	457495	TRAILER TANK WATER 1 1/2-TON 2-WHEEL	1	1			
	460110	TRUCK CARGO 2 1/2-TON 6X6 LWB	5	4			
	461327	TRUCK TANK GASOLINE 2 1/2-TON 6X6 W/WN	2	2			
	461790	TRUCK UTILITY 1/4-TON 4X4	5	5			
	465380	WATCH WRIST GRADE II	11	2			
		QUARTERMASTER ITEMS					
	500149	ACCESSORY OUTFIT GASOLINE FIELD RANGE	1	1			
	502437	BAG WATER STERILIZING POROUS W/SUSPENSION ROPES AND COVER	2	1			
	510997	CAN ASH AND GARBAGE GALVANIZED NESTING W/COVER 10 GAL CAPACITY	2	2			
	511022	CAN ASH AND GARBAGE GALVANIZED NESTING W/COVER 32 GAL CAPACITY	11	8			
1	2	3	4	5	6	7	8

PAR. NO.	LINE ITEM NUMBER	ITEM DESCRIPTION	QUANTITY			REMARKS	FOR LOCAL USE
			FULL STRENGTH	REDUCED STRENGTH	TYPE "B" STRENGTH		
1	2	3	4	5	6	7	8
	511092	CAN GASOLINE MILITARY STEEL 5 GAL	1191	1189			
	511245	CAN WATER MILITARY STEEL 5 GAL	12	6			
	512676	BURNER OIL STOVE TENT	2	2			
	513149	CARRIER WIRE CUTTER	1	1			
	513493	CASE FLD OFF MACH 18 1/2 X 13 1/4 X 17 IN	1	1			
	514757	CHAIR FOLDING	8	8			
	517109	CLOCK ALARM MECHANICAL 4 IN DIAL	1	1			
	520653	COOK SET FIELD	10	10			
	523301	CUTTER WIRE M-1938	1	1			
	523789	DESK FIELD PLYWOOD 19 3/8 IN W 11 1/4 IN H 14 5/8 IN DP	2	2			
	523797	DESK FIELD PLYWOOD 22 5/8 IN W 25 7/8 IN H 14 1/2 IN DP	1	1			
	530623	FOOD CONTAINER INSULATED RECTANGULAR ALUMINUM 5 GAL	7	5			
	534413	HEATER DUCT TYPE PORTABLE GASOLINE 250000 BTU	3	3			
	534489	FLAG GUIDON BUNTING	1	1			
	534493	HEATER SPACE COAL OR OIL 45000 BTU 18 5/8 IN H	3	3			
	538886	GOGGLES M-1944	129	77			
	540029	LANTERN GASOLINE 1 1/2 PT CAPACITY	11	11			
	541645	HEATER IMMERSION FOR CAN CORRUGATED	9	6			
	541686	HEATER WATER IMMERSION GAS OPERATED	1	1			
	547055	KIT BARBER W/CASE	1	1			
	548189	PAIL METAL STEEL GALVANIZED 3 1/2 GAL CAPACITY LIGHTWEIGHT TYPE	5	5			
	548693	PANEL MARKER GROUND SIGNAL TO AIRCRAFT	2	2			
	552623	PERFORATOR PAPER DESK NONADJUSTABLE 2 PUNCHES 2 3/4 IN CTC	1	1			
	556717	RANGE OUTFIT FIELD GASOLINE M-1937	3	3			
	559637	OUTFIT OFFICERS MESS	1	1			
	562101	SAFE 26 IN H 17 IN W 17 1/2 IN DP	1	1			
	563405	SCREEN LATRINE DUCK FWWMR OLIVE DRAB W/COVER	1	1			
	567957	SPOUT CAN FLEXIBLE W/FILTER SCREEN 16 IN L 1.238 IN FLEX TUBE	21	20			
	570109	STOVE GASOLINE BURNER 1 BURNER 5500 BTU	10	10			
	572046	TABLE FOLDING LEGS WOOD SOLID TOP WOOD LEGS 36 L 24 W 27 25-32 H	4	4			
	574397	TENT COMMAND POST COMP W/PINS AND POLES	1	1			
	574429	TENT GENERAL PURPOSE MEDIUM COMP W/PINS AND POLES	1	1			
	574461	TENT KITCHEN FLYPROOF COMP W/PINS AND POLES	1	1			
	574477	TENT MAINTENANCE SHELTER COMP W/FRAME AND PINS	3	3			
	574541	TENT WALL LARGE FWWMR OLIVE DRAB COMPLETE W/PINS AND POLES	1	1			
	585966	STAPLER PAPER FASTEN OFF TYPE LT DUTY	1	1			
	586325	STENCIL OUTFIT COMP W/FIGURES AND LETTERS 1/2 IN AND 1 IN	1	1			
	596643	TYPEWRITER NON PTBL II IN CARRIAGE	1	1			
		SIGNAL ITEMS					
	609625	CHARGER RADIAC DETECTOR PP-1576/PD	2	2			
	616420	FLASHLIGHT MX-992/U	56	28			
	628193	MULTIMETER ME-77/U	3	3			
	634670	RADIACMETER IM-92/UD	6	6			
	634675	RADIACMETER IM-108/PD	6	6			
	639601	RADIO SET AN/GRC-7 MTD IN TRK 1/4 TON	1	1			
	639701	RADIO SET AN/GRC-8 MTD IN TRK 1/4 TON	4	4			
	639766	RADIO SET AN/GRC-8 MTD IN CARRIER PERSONNEL FULL TRACKED	14	14			
	648866	RADIO SET AN/VRC-7 MTD IN CARRIER PERSONNEL FULL TRACKED	42	42			
	650166	RADIO SET AN/VRQ-3 MTD IN CARRIER PERSONNEL FULL TRACKED	1	1			
	660060	REEL EQUIPMENT CE-11	1	1			
	663895	SHUNT INSTRUMENT MULTIRANGE MX-1471/U	3	3			
	672380	SWITCHBOARD TELEPHONE MANUAL SB-22/PT	1	1			
	678260	TELEPHONE SET TA-312/PT	6	6			
	685665	TEST SET ELECTRON TUBE TV-7/U	1	1			
	688520	TOOL EQUIPMENT TE-33	1	1			
	688600	TOOL EQUIPMENT TE-41	3	3			
	698350	WIRE WD-1/TI ON SPOOL DR-8 1/4 MI	8	8			
		REMARKS					
	219	1 PER SR RCVY MECHANIC; RECOVERY MECHANIC; SR TRACK VEH MECH; TRACK VEH MECH.					
	238	1 PER SR RADIO MECHANIC; RADIO MECHANIC.					
	314	1 PER TRK.					
	516	1 PER ACCESSORY OUTFIT GAS; BURNER OIL STOVE; GENR. HEATER DUCT TYPE; TRK 1/4 TON - 2 PER TRK 2 1/2 TON - 20 PER TANK RECOVERY VEH; CARRIER PERSONNEL FULL TRACKED.					
	521	1 PER TRK OVER 1/4 TON.					
	526	1 PER ACCESSORY OUTFIT GAS; GENR. HEATER DUCT TYPE; TRK - 1 ADD PER 5 FCMV OR MFCT.					
	530	1 PER SWBD.					
	553	ONE PLATOON EQUIPPED WITH RADIO SET AN/VRQ-3; TWO PLATOONS EQUIPPED WITH RADIO SET AN/GRC-8.					
	600	WAB CONARC ARADCOM OR TOC.					

AG 320.3 (15 Aug 58)

By Order of Wilber M. Brucker, Secretary of the Army:

OFFICIAL:

R. V. LEE,
Major General, United States Army,
The Adjutant General.

MAXWELL D. TAYLOR,
General, United States Army,
Chief of Staff.

Distribution:

Active Army:

Gen Staff, DA (5) except
DCSLOG (3)
CNGB (2)
CUSARROTC (2)
CofCh (2)
CMH (1)
Tec Svc, DA (5) except
CSigO (21), CofT (25)
Admin & Tec Svc Bd (2)
Hq USCONARC (40)
OS Maj Comd (5)
OS Base Comd (5)
Log Comd (3)
Armies (25)
Corps (10)
Div (8)

Instl (3)
Gen & Br Svc Sch (20)
Ord Tng Comd (1)
PMST ROTC Units (1)
Trans Terminal Comd (2)
OS Sup Agencies (2)
Mil Dist (3)
MAAG (5)
Mil Mis (5)
Units org under fol TOE:
55-47D, Trans Tactical
Carr Co (2)

NG: State AG (5).

USAR: Same as Active Army.

For distribution of abbreviations used, see AR 320-50.