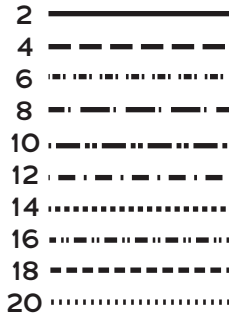
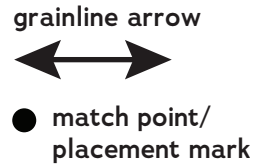




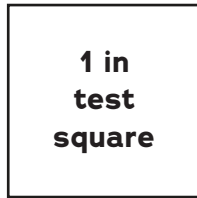
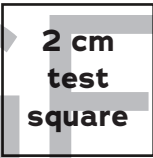
SIZE 2-20
PATTERN
SIZE KEY



SYMBOL KEY



PATSY
MUTTON
SLEEVE
EXPANSION
& CHARM
SCHOOL
NECKTIE



© 2024 Charm Patterns by Gertie
Distribution and Commercial Use Prohibited

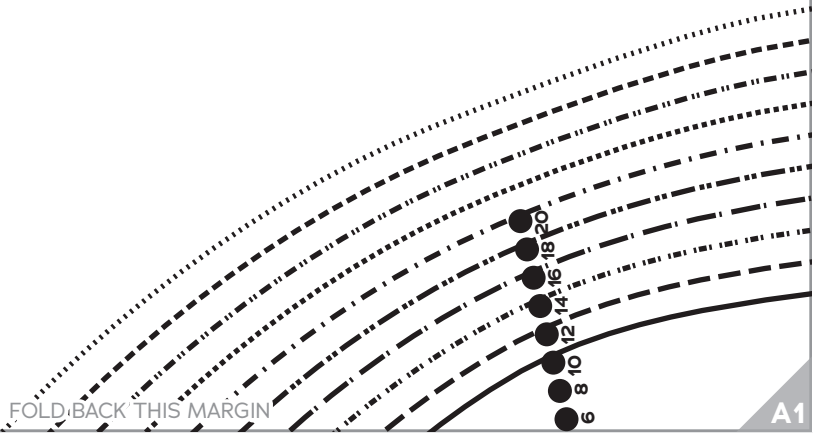
Sizes 2-20

5/8 inch (in) (1.5 cm) seam allowances
are included on all pattern pieces.

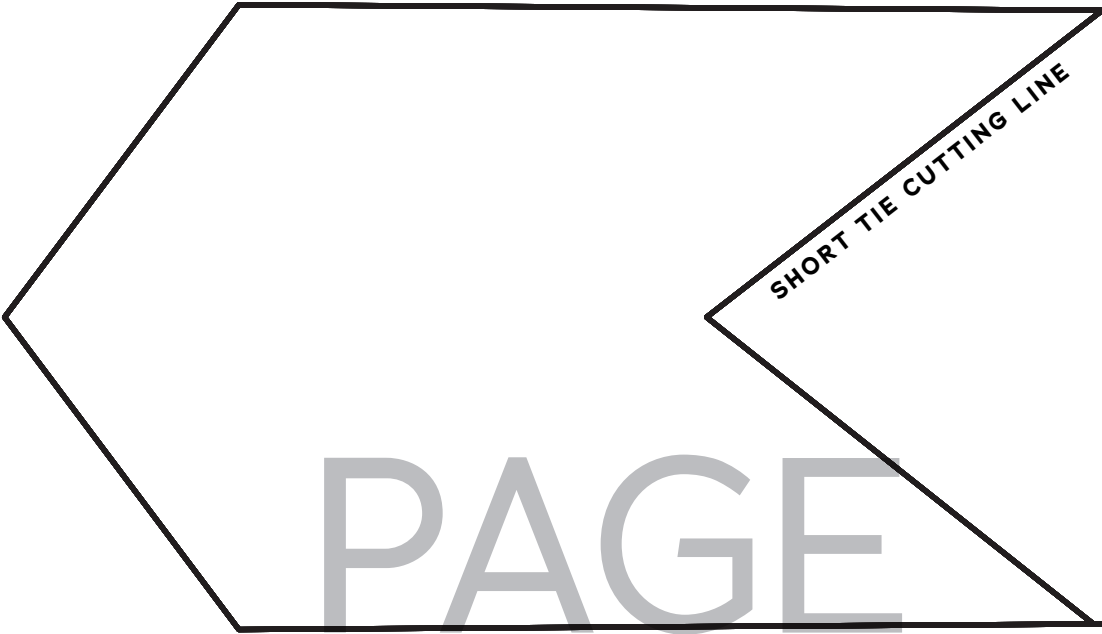


FOLD BACK THIS MARGIN

FOLD BACK THIS MARGIN

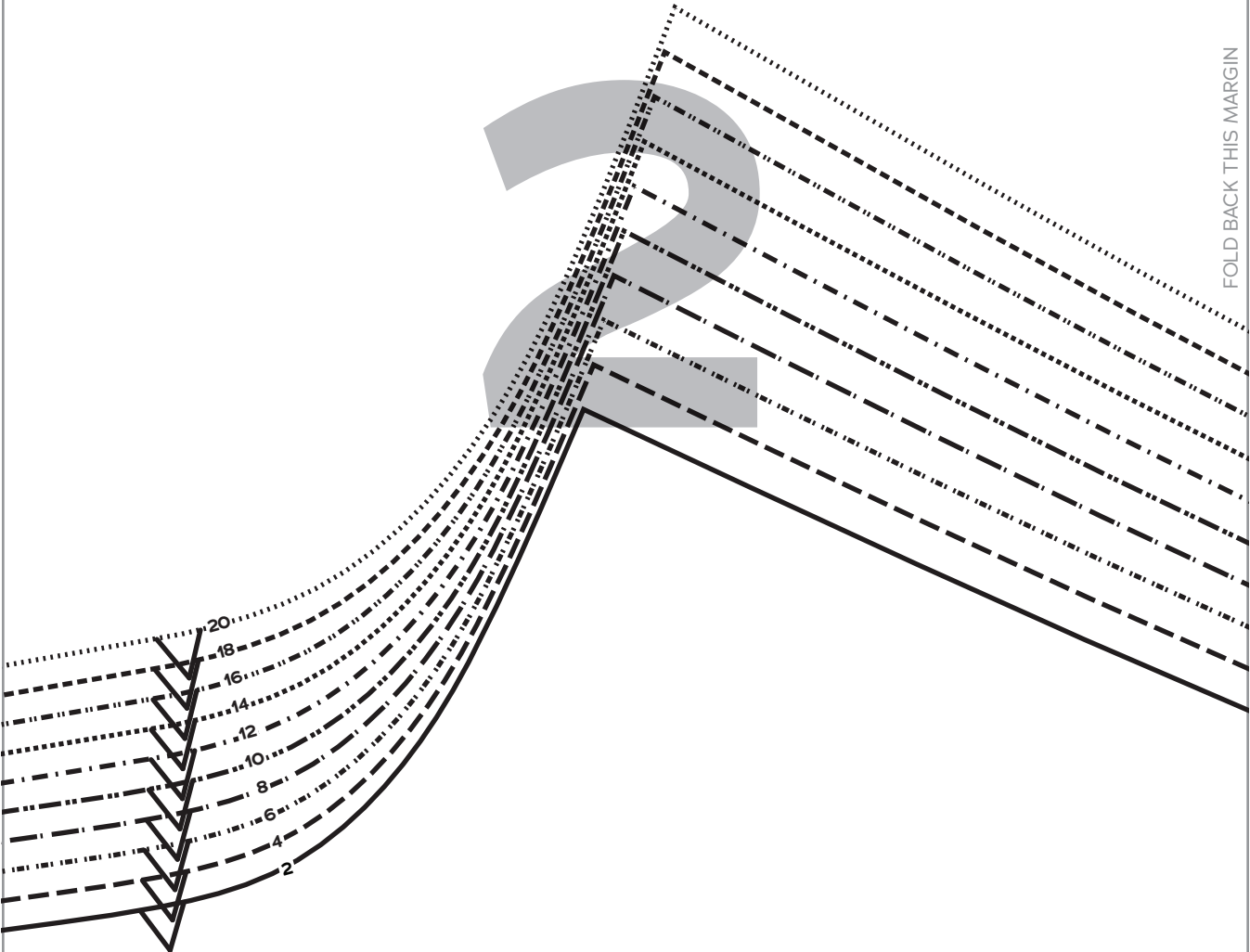


A1



PAGE

FOLD BACK THIS MARGIN



A1

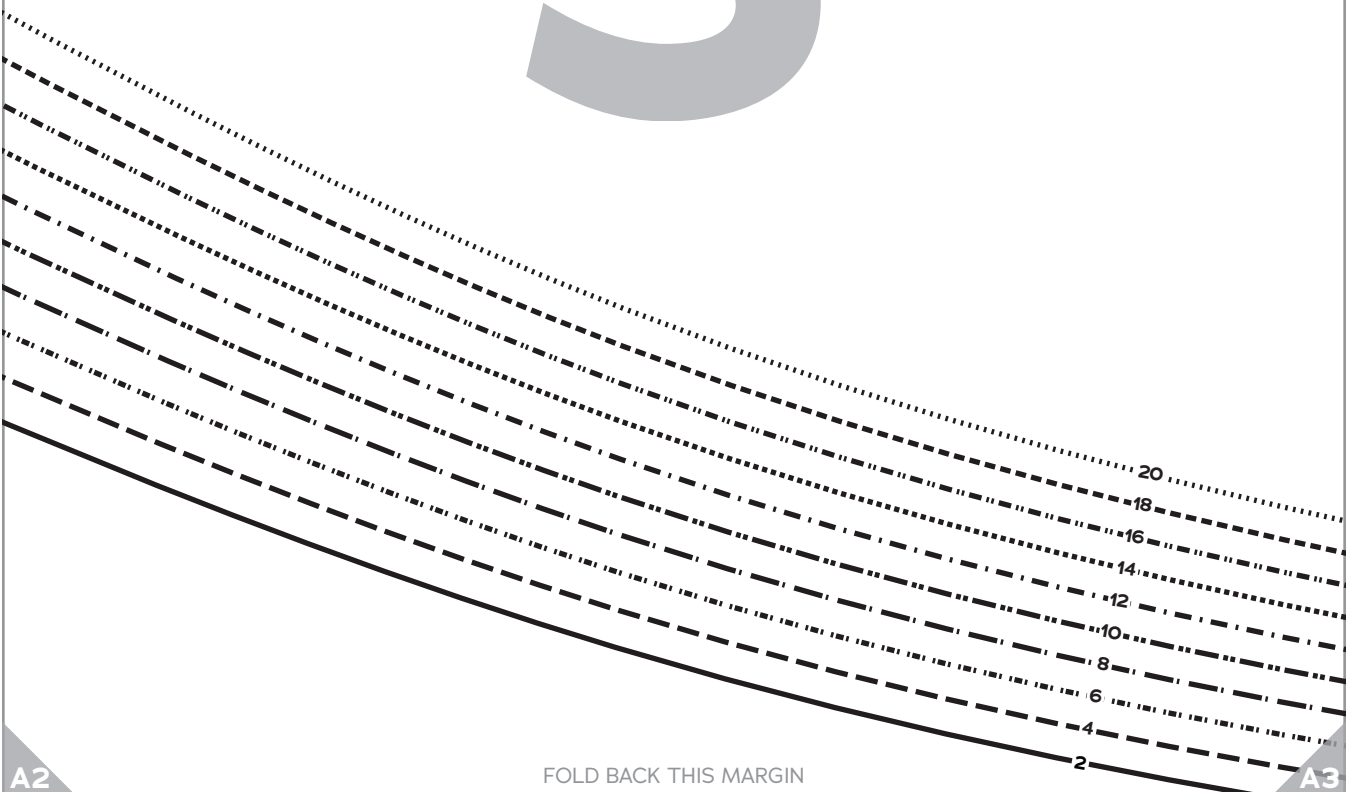
FOLD BACK THIS MARGIN

A2

PAGE

3

FOLD BACK THIS MARGIN



A2

FOLD BACK THIS MARGIN

A3



2 CHARM SCHOOL
NECKTIE
SIZES 2-20



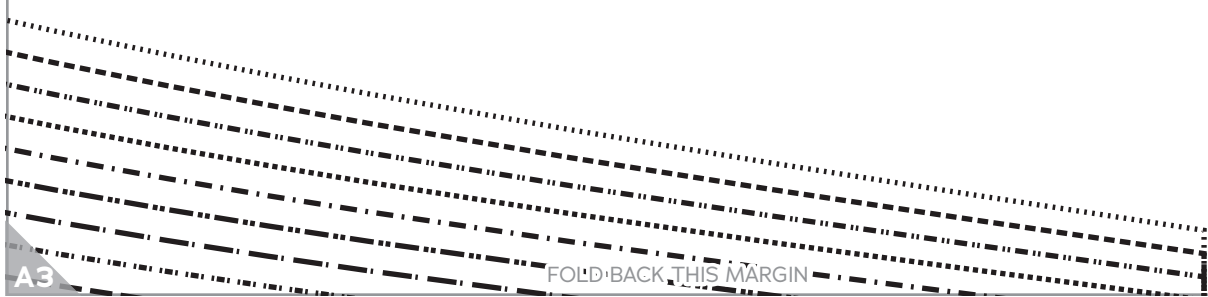
Necktie

Cut 1 fabric, 1 lining

PAGE

4

FOLD BACK THIS MARGIN



A3

FOLD BACK THIS MARGIN

A4

PAGE

5

FOLD BACK THIS MARGIN

A4

GRAINLINE

PAGE

6

FOLD BACK THIS MARGIN

PAGE

7

FOLD BACK THIS MARGIN

PAGE

8

FOLD BACK THIS MARGIN

PAGE

9

FOLD BACK THIS MARGIN

SHORT TIE CUTTING LINE

PAGE

10

FOLD BACK THIS MARGIN

PAGE

GATHER BETWEEN CIRCLES



FOLD BACK THIS MARGIN



20
18
16
14
12
10
8
6
4
2

FOLD BACK THIS MARGIN

A1

A2

PAGE
12



BY GERTIE

1 PATSY MUTTON
SLEEVE EXPANSION
SIZES 2-20

Long Mutton
Sleeve

Cut 2 fabric

FOLD BACK THIS MARGIN

B1

FOLD BACK THIS MARGIN

B2

A2

A3

PAGE

13

FOLD BACK THIS MARGIN

GRAINLINE

B2

FOLD BACK THIS MARGIN

B3

A3

A4

PAGE

14

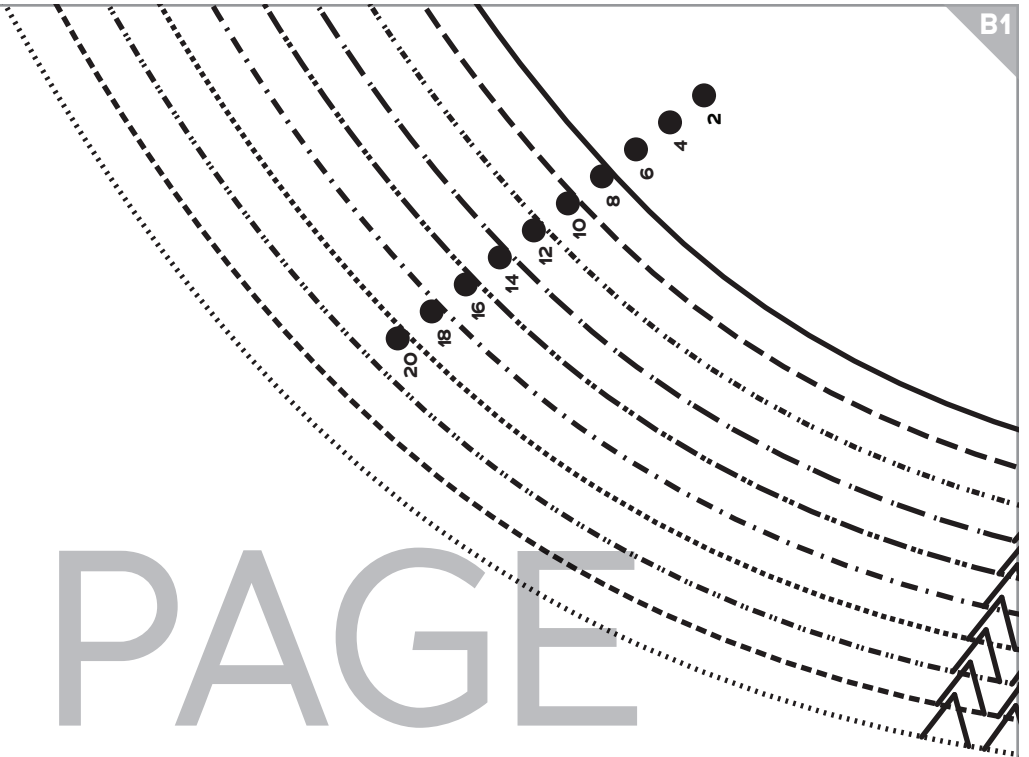


PLACKET CUTTING LINE



B3

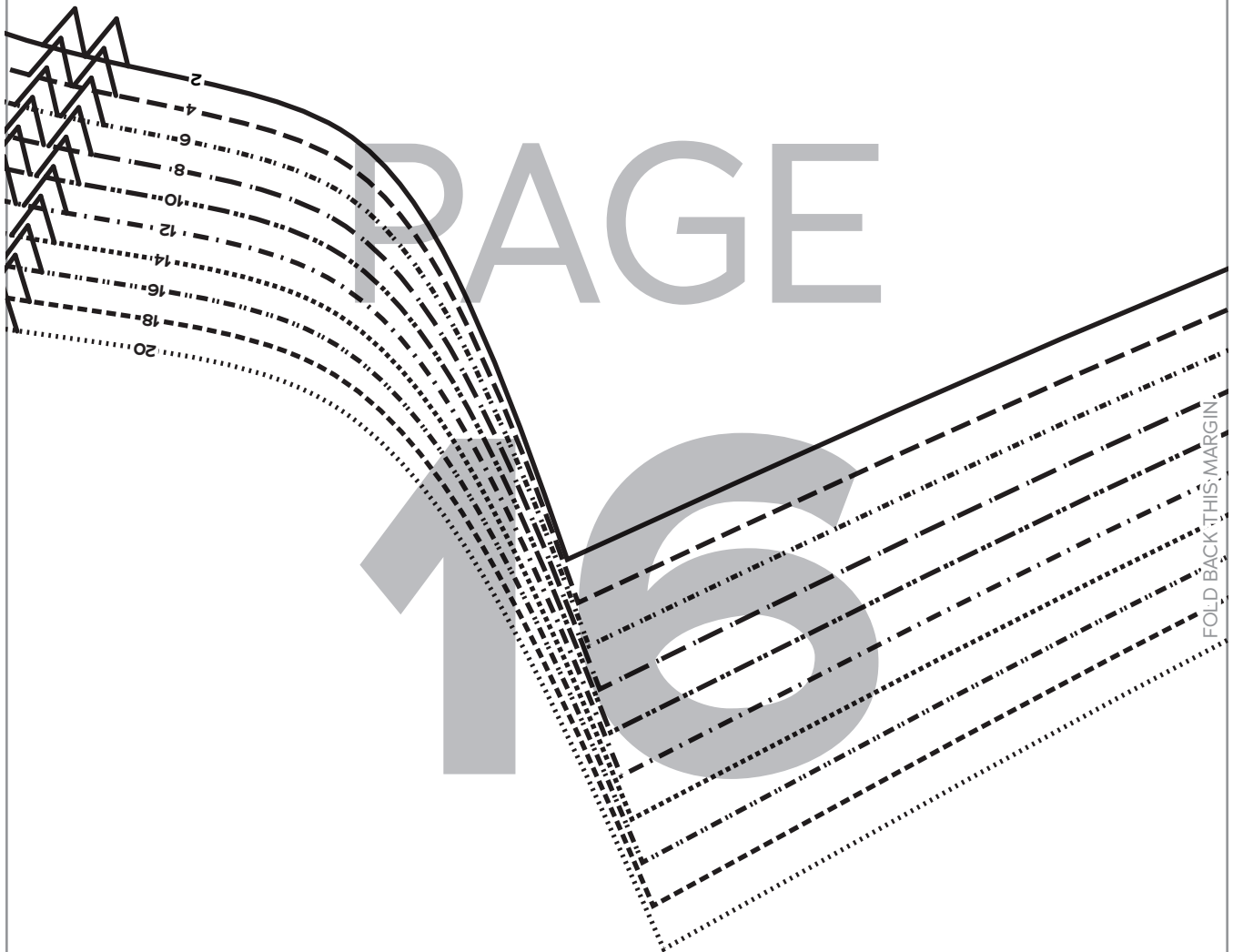
FOLD BACK THIS MARGIN

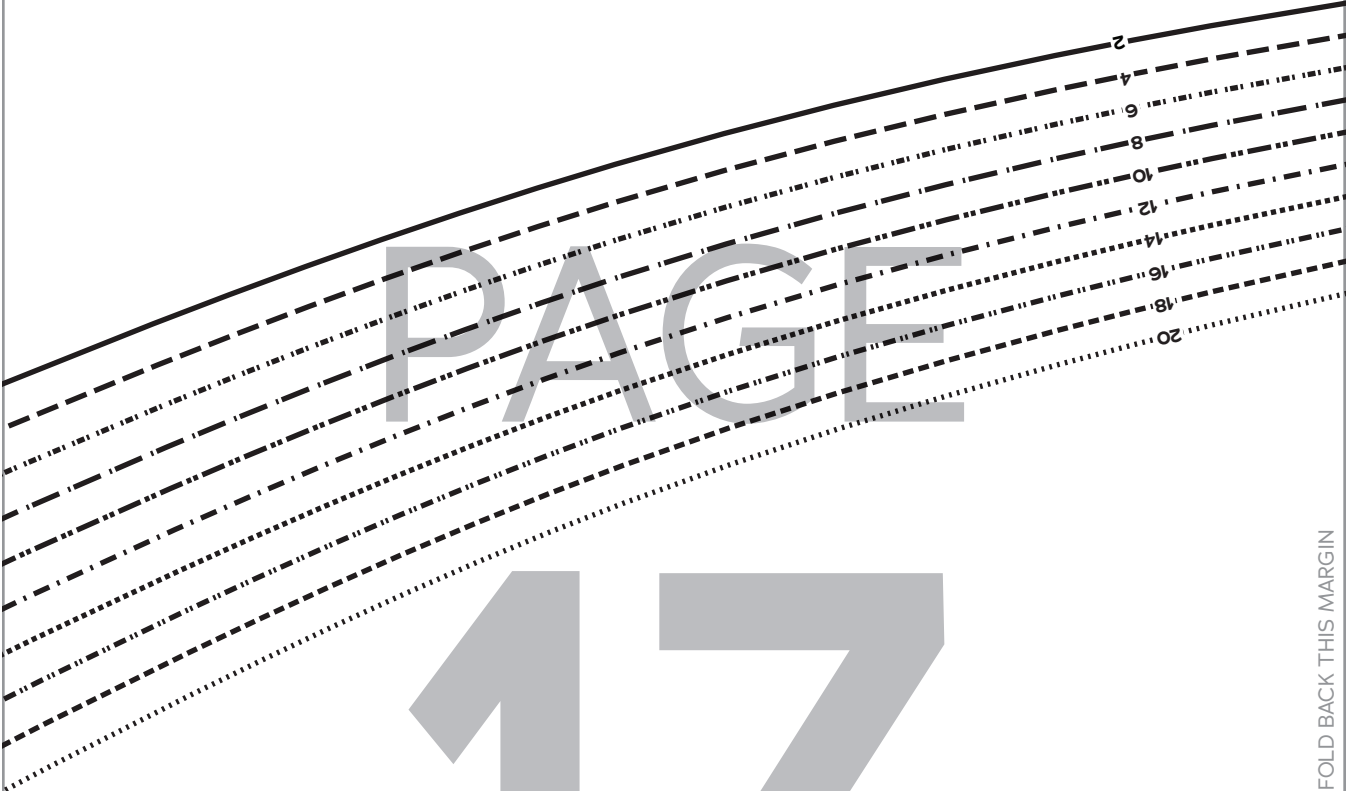


PAGE

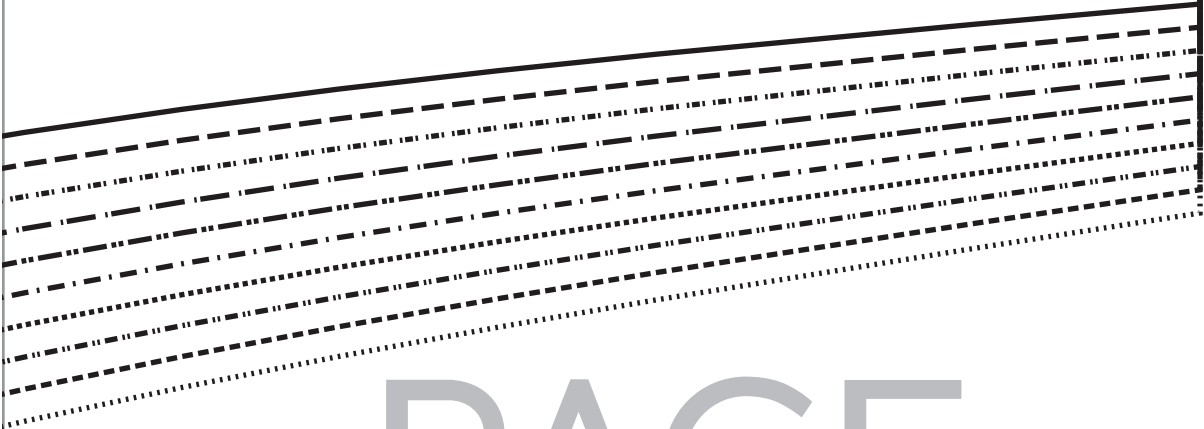
15

FOLD BACK THIS MARGIN





FOLD BACK THIS MARGIN



PAGE

18